

ROJO COMPACT FLOAT VALVE

PRODUCT INFO



[COMPACT] FLOAT VALVE



Description

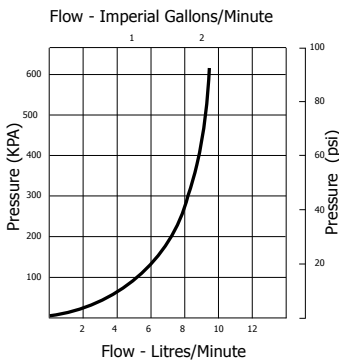
Rojo Compact Valves are float operated valves for automatic filling of water storage vessels. The Rojo Compact can be **mounted above or below water level**. It is a simple mechanically operated valve. The **Rojo Compact** is the optimal choice for **low flow** when space is limited as the narrow weighted float makes for a compact versatile design.

Applications

Maintaining water levels in:

- Animal drinking troughs
- Water storage tanks
- Water Cisterns
- Process applications

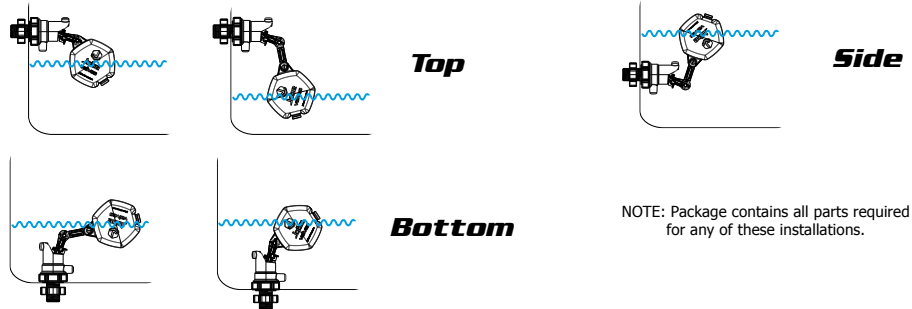
Flow Graph



Features

- Fits in Compact spaces
- Float no wider than valve
- Multiple Mounting Positions
- Fully Adjustable Float
- Non-corrosive Material
- Flow stops when unscrewed
- Pressure range 0-10 Bar (0-150 PSI)
- Non corrosive material construction
- Has switch to lock valve in off position
- Helps to minimise water hammer

Mounting Positions



Options

Inlet sizes: 8mm 1/4" bsp/npt
15mm 1/2" bsp/npt
20mm 3/4" bsp/npt

Pressure Rating:

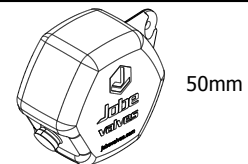
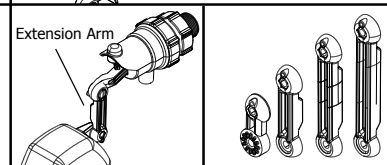
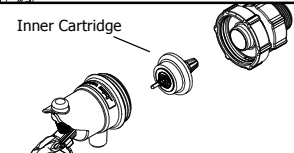
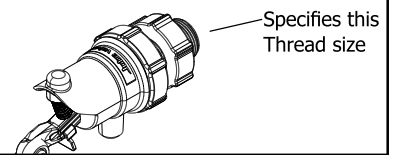
0 Bar (0 PSI) - 10 Bar (150 PSI)

Extension Arms:

50mm Extension Arm supplied Standard

Available Extension Arm Lengths:
25mm 50mm 75mm 100mm

Float: 50mm wide float supplied.
Note: 50mm Compact float is weighted



ROJO COMPACT FLOAT VALVE SPECIFICATION

PRODUCT	INLET SIZE	CODE
Rojo Compact	1/4" bsp/npt	RJVC15
	1/2" bsp/npt	RJVC20
	3/4" bsp/npt	

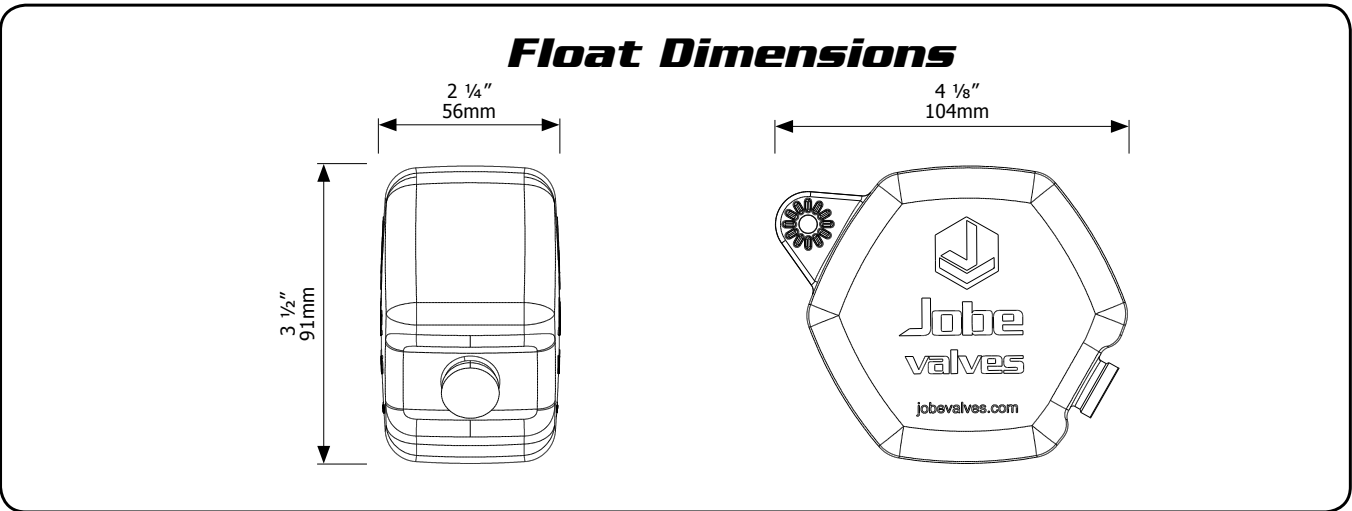
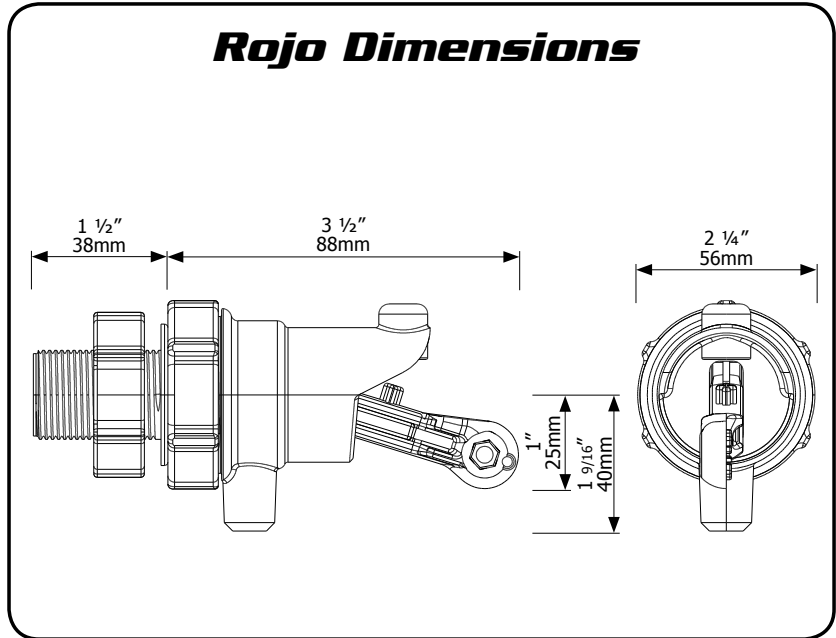
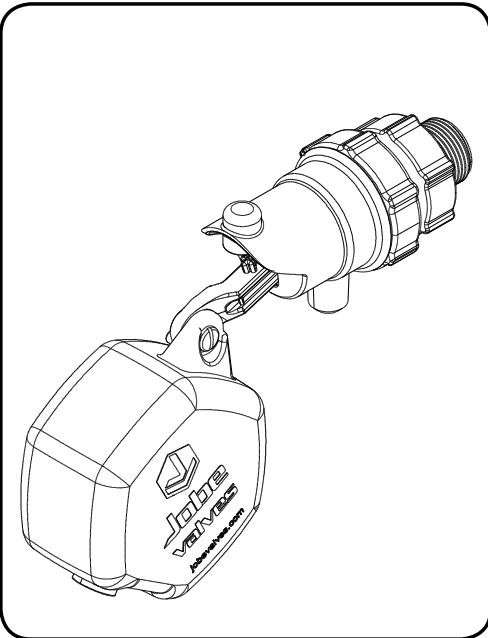
ROJO COMPACT FLOAT VALVE

DIMENSIONS & MATERIALS



[COMPACT]
FLOAT VALVE

20 L / MIN



Part	Material	Part	Material
Valve Body	ABS	Float	HDPE
Tail & Nut Arm	Glass Filled Nylon	Seal Washer	LOPE
Extension Arm		Springs Bolts Nuts	304 Stainless Steel
Internal White Mouldings	Acetal	O'Rings	Nitrile
Yellow Valve Parts Filter			

Maximum Operating Temperature **60°C, 140°F**

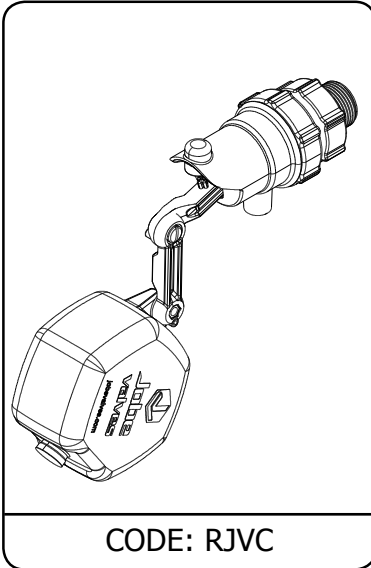
ROJO COMPACT FLOAT VALVE

PARTS IDENTIFICATION SHEET

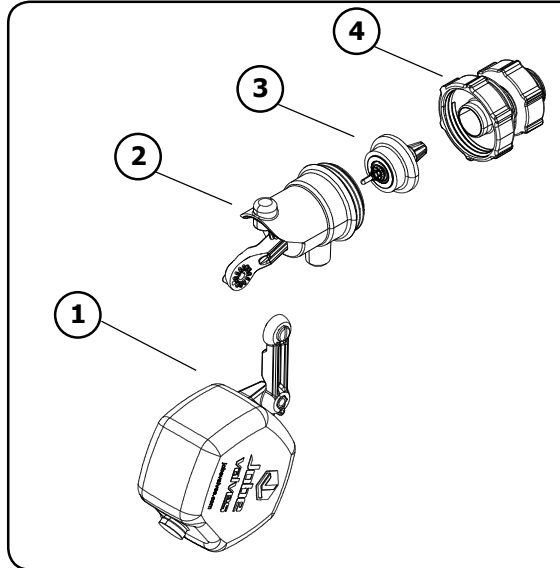


[COMPACT]

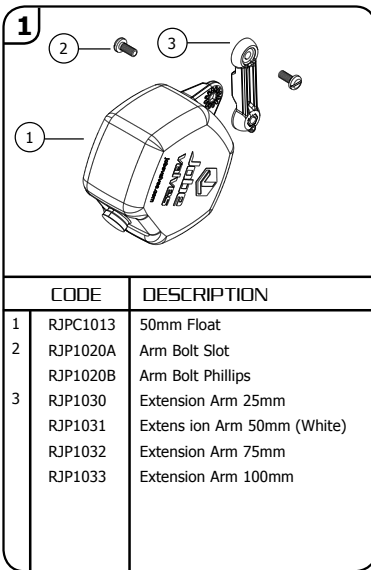
FLOAT VALVE



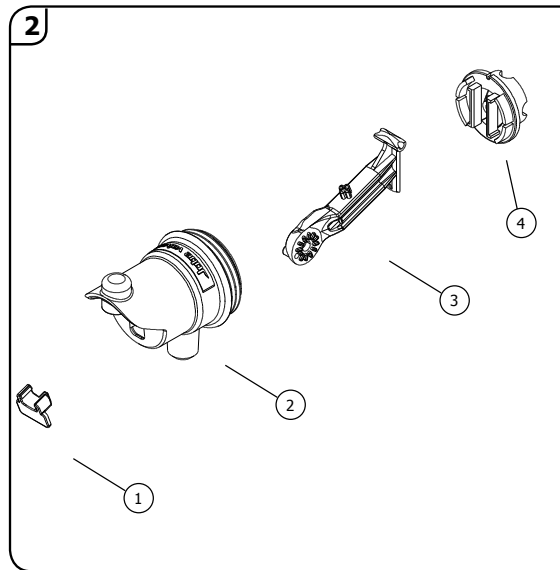
CODE: RJVC



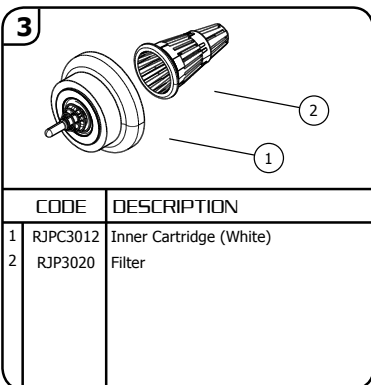
CODE	DESCRIPTION
1 RJPC1	Float & Connection (Compact)
2 RJPC2	Body Assembly (Compact)
3 RJPC3A	Inner Cartridge Assembly (Compact)
4 RJP415	15mm (1/2") Tail Assembly
RJP420	20mm (3/4") Tail Assembly
RJP420E	20mm (3/4") NPT Tail Assembly



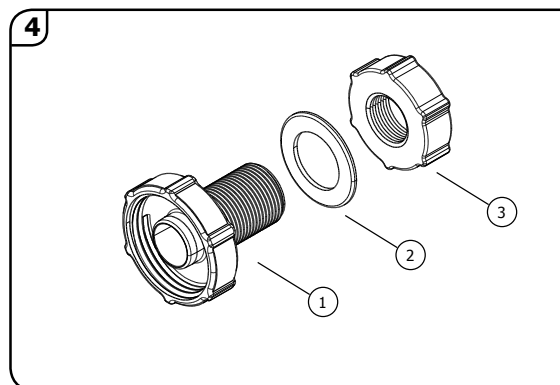
CODE	DESCRIPTION
1 RJPC1013	50mm Float
2 RJP1020A	Arm Bolt Slot
RJP1020B	Arm Bolt Phillips
RJP1030	Extension Arm 25mm
RJP1031	Extension Arm 50mm (White)
RJP1032	Extension Arm 75mm
RJP1033	Extension Arm 100mm



CODE	DESCRIPTION
1 RJP2010	Lock-Off Switch
2 RJP2030	Body
3 RJPC2042	Arm Assembly (White)
4 RJPC2052	Retainer (White)



CODE	DESCRIPTION
1 RJPC3012	Inner Cartridge (White)
2 RJP3020	Filter



CODE	DESCRIPTION
1 RJP4009	8mm (1/4") Tail
RJP4010	15mm (1/2") Tail
RJP4011	20mm (3/4") Tail
RJP4012	20mm (3/4") Tail NPT
2 RJP4020	15mm Seal Washer
RJP4021	20mm Seal Washer
3 RJP4030	15mm (1/2") Backing Nut
RJP4131	20mm (3/4") Backing Nut

20 L / MIN